

DETAILS	FT. IN	CM.
D. DOOR	3.3-6.6	100-200
D1 DOOR	3.0-6.1	91-200
D2 DOOR	2.6-6.6	76-200
W WINDOW	4.6-4.6	137-137
W1 "	3.0-4.6	91-137
W2 "	2.6-4.1	76-137
V. VENTILATOR	2.6-2.0	76-61
AREA	SQ. FT	SQ. M.
PLOT	2466	229.10
PLINTH	550	49.0
CARPET	407	37.0

COLOUR INDEX:

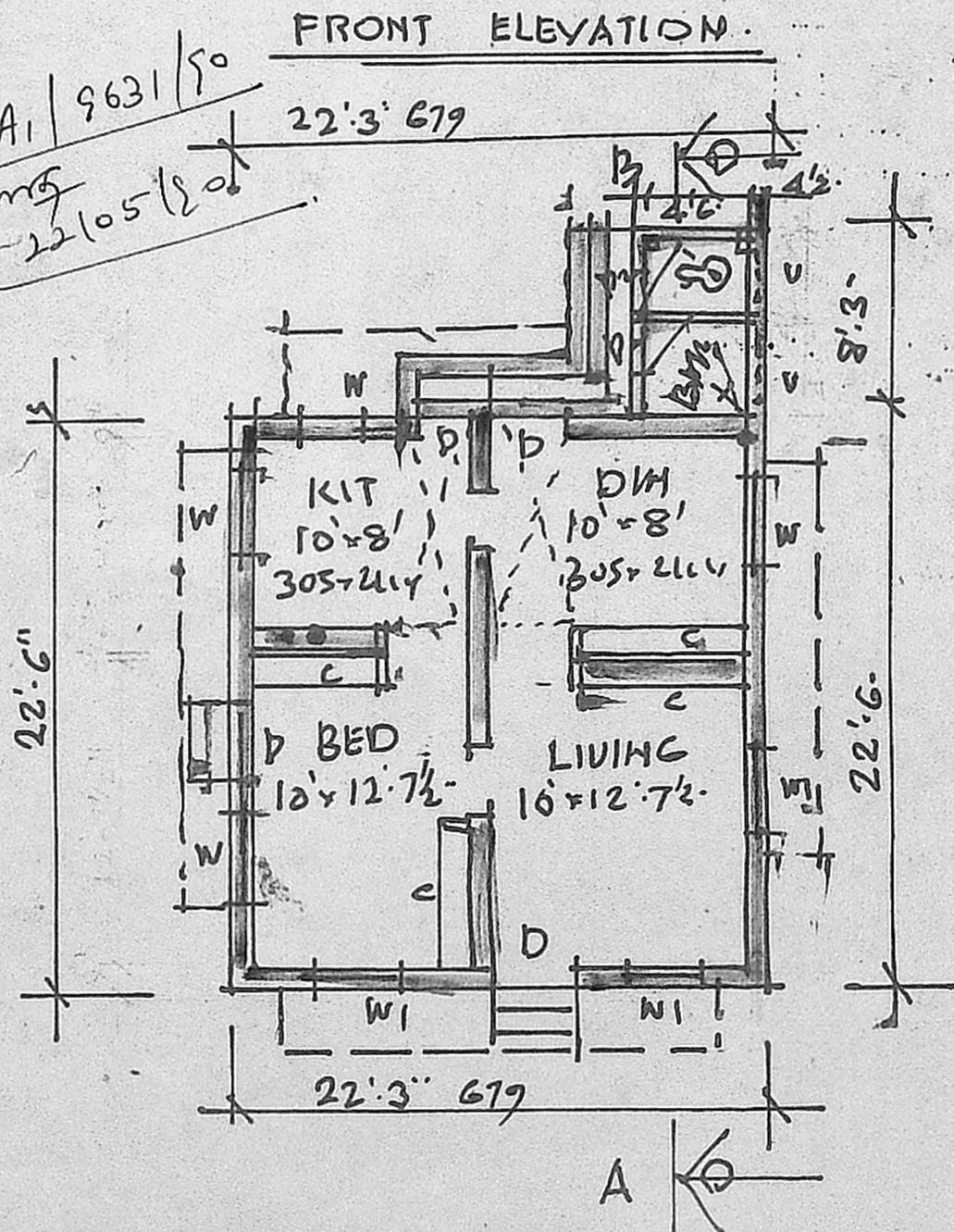
PRO. ROAD.	[Symbol]
PLOT.	[Symbol]

PROPOSED CON. OF A DWELLING HOUSE AT PLOT NO. C2, OF S. NO. 192/1B, 233/2 OF ANAKAPUTHUR, ANAKAPUTHUR TOWN PANCHAYAT, SAIDAPET. TQ. CHENGAI ANNA DISTRICT.

SCALE: 0.1" = 8'0" (1:100)
 SANCTIONED BA. 97/83-84.
 dt. 16.2.84.

OWNER: MR. A. SILUJAI

V. D. RAJAGOPALAN, L.C.E., LICENSED SURVEYOR
 TAMBARAM MUNICIPALITY,
 164, PAMMAL MAIN ROAD,
 PAMMAL, MADRAS-600 075.
 ENGINEER.



PLAN OF GROUND FLOOR

SECTION ON "AB" Permit No. A/819/90

APPROVED

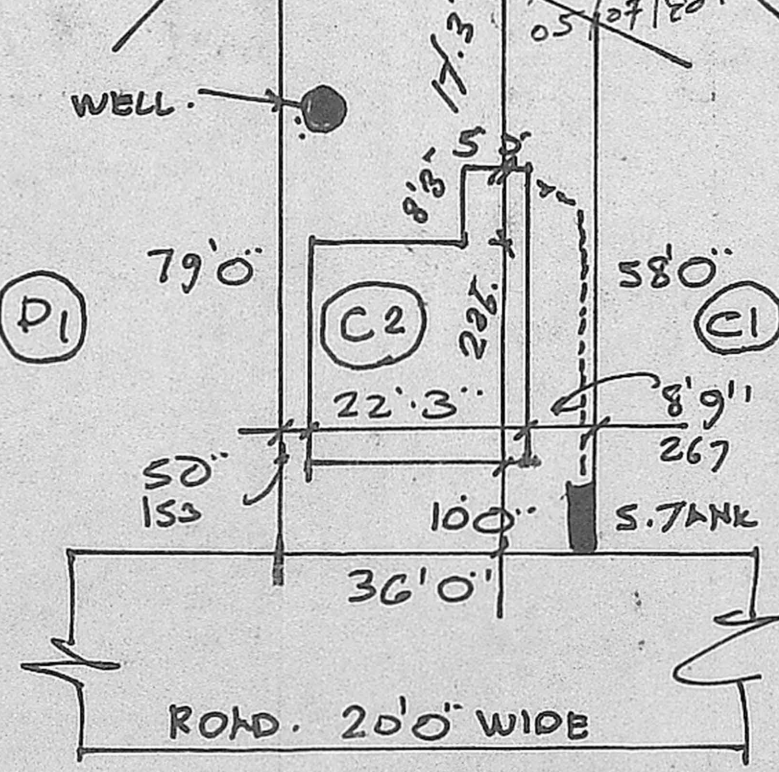
SUBJECT TO THE CONDITIONS IN THIS OFFICE LETTER.

No. A/9631/90 6/12/90.

FOR MEMBER SECRETARY (B.S. TERMINUS) J.C. S. JAYARAJ

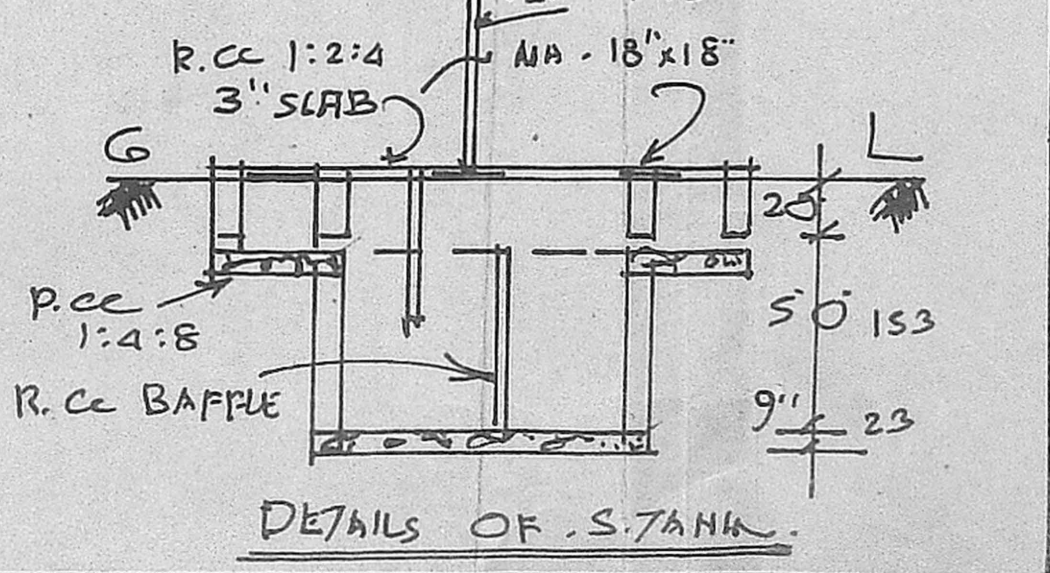
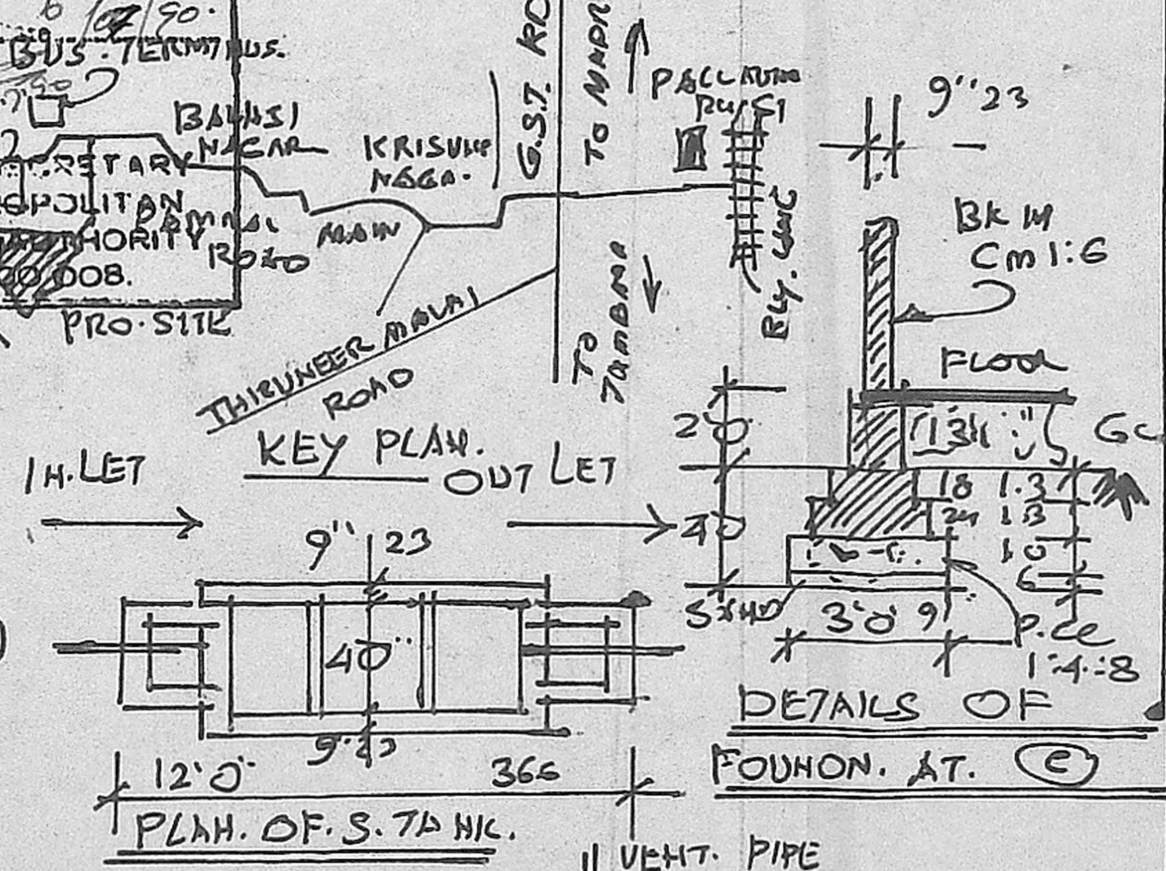
MADRAS METROPOLITAN DEVELOPMENT AUTHORITY

MAO. 2-3 600/008.



SITE PLAN:
 SCALE: 0.1" = 24'0"

TOPO PLAN. OF SITE WITH SURROUNDING DETAIL SCALE: 1/320' = ONE INCH



DETAILS OF S.TANK

28.3.90